

Double Ended Beam Load Cell



FEATURES

- Capacities: 25 to 125Klbs
- Environmental protection: IP67 (DIN 40.050)
- Material: Nickel plated steel
- Certified to NTEP class III L, 10000 divisions

OPTIONAL FEATURES

- FM approved for use in potentially explosive atmosphere

APPLICATIONS

- Weighbridges
- Silos, tanks and hoppers

DESCRIPTION

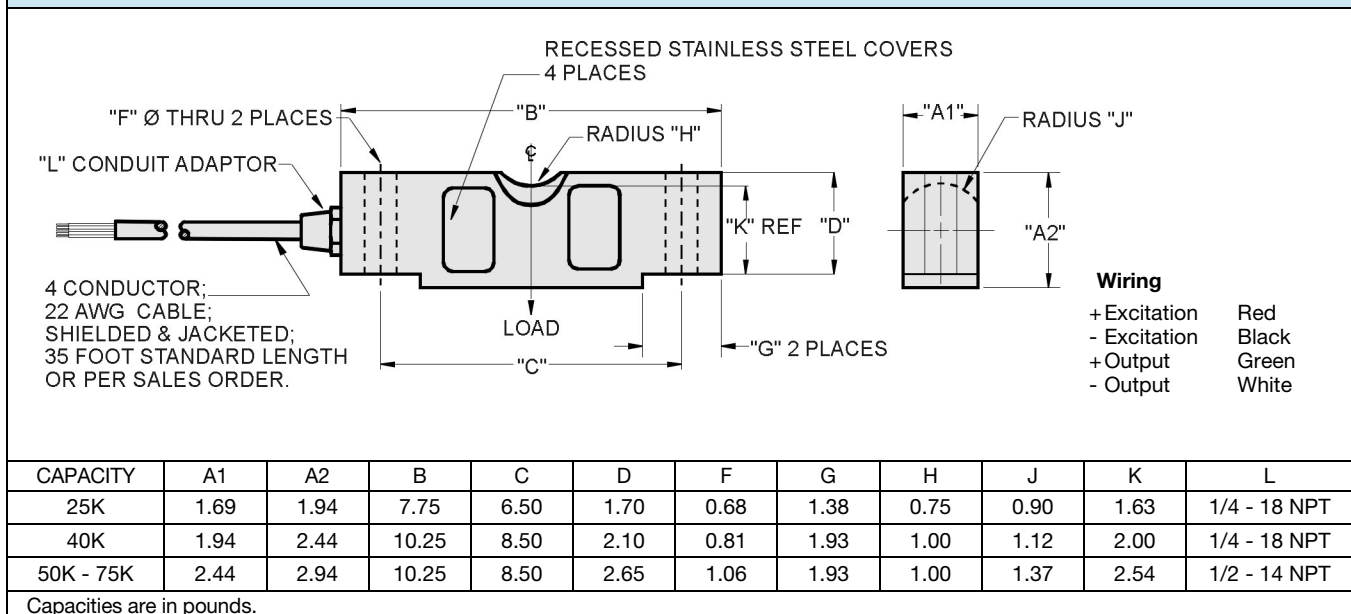
The 5303 is a link loaded mid to high capacity, Nickel plated alloy steel Double Ended Shear Beam type load cell.

This product is designed for use in certified truck and rail scales and is available in capacities from 25K to 125Klbs.

This load cell is rated intrinsically safe by the FM system, making it suitable for use in potentially explosive atmosphere.

This load cell is certified for trade applications by American NTEP standards.

OUTLINE DIMENSIONS in inches



SPECIFICATIONS			
PARAMETER	VALUE		UNIT
Capacities	25K, 40K, 50K, 60K, 75K, 100K, 125K		lbs
Accuracy class according to NTEP	NTEP IIIIL	Non-Approved	
Max. no. of verification intervals	10000d		
Rated output (=S)	3.0		mV/V
Rated output tolerance	0.0075		±mV/V
Zero balance	1.0		±% FSO
Combined error	0.0200	0.0500	±% FSO
Temperature effect on min. dead load output	0.0010	0.0250	±% FSO/5°C (°F)
Temperature effect on sensitivity	0.0008	0.0250	±% FSO/5°C (°F)
Compensated temperature range	-10 to +40 (+14 to 104)		°C (°F)
Operating temperature range	-18 to +65 (0 to +150)		°C (°F)
Safe load limit	150		%E _{max}
Ultimate load	300		%E _{max}
Safe side load limit	100		%E _{max}
Excitation voltage recommended	10		V
Excitation voltage maximum	15		V
Input resistance	700±14		Ω
Output resistance	703±4		Ω
Insulation resistance	Š1000		MΩ
Environmental protection	IP67		
Element material	Nickel plated steel		ASTM

FSO - Full Scale Output

Mounting:

Correct mounting of the load cells is essential to ensure optimum accuracy and performance. Further information is available upon request.

Disclaimer

All product specifications and data are subject to change without notice.

Vishay Precision Group, Inc., its affiliates, agents, and employees, and all persons acting on its or their behalf (collectively, "Vishay Precision Group"), disclaim any and all liability for any errors, inaccuracies or incompleteness contained herein or in any other disclosure relating to any product.

Vishay Precision Group disclaims any and all liability arising out of the use or application of any product described herein or of any information provided herein to the maximum extent permitted by law. The product specifications do not expand or otherwise modify Vishay Precision Group's terms and conditions of purchase, including but not limited to the warranty expressed therein, which apply to these products.

No license, express or implied, by estoppel or otherwise, to any intellectual property rights is granted by this document or by any conduct of Vishay Precision Group.

The products shown herein are not designed for use in medical, life-saving, or life-sustaining applications unless otherwise expressly indicated. Customers using or selling Vishay Precision Group products not expressly indicated for use in such applications do so entirely at their own risk and agree to fully indemnify Vishay Precision Group for any damages arising or resulting from such use or sale. Please contact authorized Vishay Precision Group personnel to obtain written terms and conditions regarding products designed for such applications.

Product names and markings noted herein may be trademarks of their respective owners.